

# Personal Healthcare Smart Touch Screen TV

Commercial Lite

Pro:Centric Value

Pro:Centric Direct

Pro:Centric Direct Smart

## 15LT766A

Provide your patients with the smart solution, 15.6" multi-touch based Arm TV, for a superior hospital experience. The 15LT766A series enables personalized interactive service with its multi-touch screen and webOS operating system, which is the optimal platform for Patient Engagement Providers in the industry. Its industrial panel is durable and will sustain long operation. The LG IPS panel technology provides great viewing angles for multiple viewers in a hospital environment.



# Personal Healthcare Smart Touch Screen TV

## 15LT766A

### Interactive Healthcare TV Solution

#### Intuitive Multi-touch Display

This touch screen recognizes the presence of more than two points of contact with the surface, allowing more users in a hospital setting to experience interactive services (e.g., doctor and patient) and entertainment (e.g., patient and family).



#### Perfect Viewing with LG IPS and Instant On

This TV has an LG IPS Panel which delivers awe-inspiring picture quality across the entire screen, even from wide viewing angles. The "Instant On" feature allows immediate TV power-on and picture display with no long boot-up time delay for the guest.



#### Pre-loaded Apps (including gaming apps)

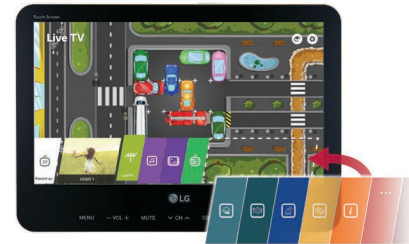
Patients can be served with pre-loaded applications, including many popular games, Youtube, Web Browser and others.

##### Apps:

- Smartshare
- Screen Share
- Web Browser
- YouTube
- Arirang TV
- Filmbox Live
- Accuweather

##### Games:

- Parking Panic
- Genius Memory
- Maya Brick Breaker
- Water Blast
- 3 Cats



#### UL Hospital Grade Listed

The 15LT766A series is UL listed for use in healthcare facilities, which insures you are installing a safe product for patient room use



\* Actual in-screen image may differ.

# Personal Healthcare Smart Touch Screen TV

## 15LT766A

### Smart Experience

#### Pro:Idiom

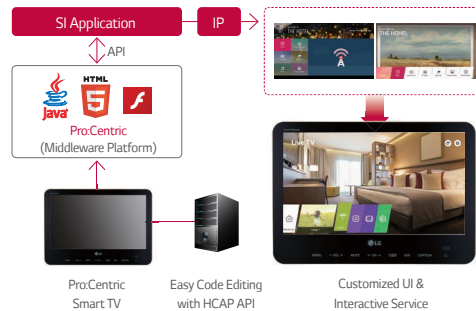
Securely provide entertainment content with Pro:Idiom DRM (Digital Right Management) which prevents illegal copying on your LG devices.



Pro:Idiom

#### Pro:Centric Information Management Solution

Pro:Centric SMART is optimized for customizing information and entertainment services through an IP & RF infrastructure. With its high picture quality, sophisticated design and advanced connectivity functions, the 15LT766A Series improves and creates new in-room experiences for patients, family and hospital staff.

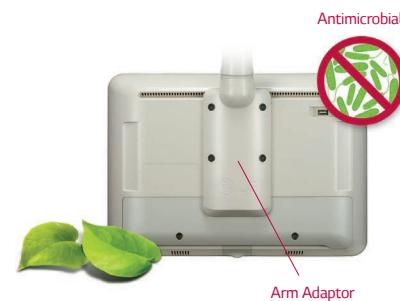


#### Antimicrobial Properties Applied

Antimicrobial properties applied to the plastic housing of the 15LT766A series conform with the ISO 22196 standard.\*

#### Power Over Coax (PoC)

The 15LT766A can be powered over coax cable which can be routed (along with other cables) through its arm adaptor. The arm adaptor connects the TV with an optional mounted arm\* for ease of positioning for both patient viewing and hospital staff to store out of the way.



#### Featured Partners

The following are Patient Engagement Development Partners that specify the LG Pro:Centric WebOS platform.

ACESO®  
*From the Bedside Up*

eVideon™

getwell:)network

journeyPX

LEIGHTRONIX

pcare  
Wired to Care

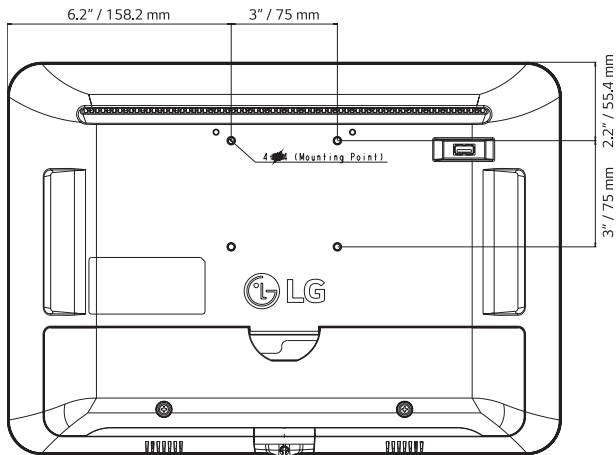
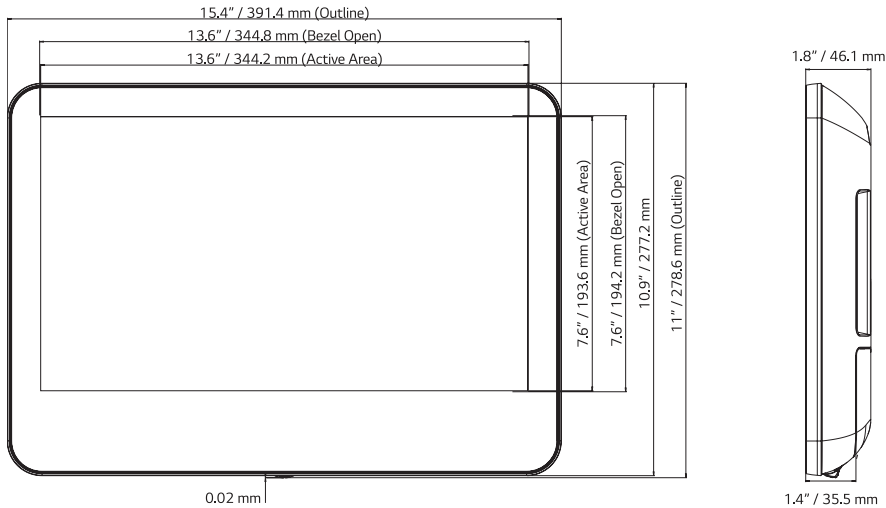
SONIFIhealth

TIGR PX

#### \* NOTES:

- Antimicrobial properties: Antimicrobial properties do not protect users against bacteria, viruses, germs or other disease causing microorganisms.
- External plastic housing excludes front LCD panel.
- ISO 22196: Measurement of antimicrobial activity on plastics and other non-porous surfaces.
- Optional mounted arm is a third-party accessory.

## Dimensions



\* Dimensions may differ from the above image, so please contact LG sales team to verify before ordering.

## Specifications

15LT766A

	Screen Size	15.6"
	Backlight Type	LED (Edge)
	Resolution	1,920 x 1,080 (FHD)
	Brightness nits	250 (Typ) / 220 (Min)
PANEL	Static (Panel) Contrast Ratio	700 (Typ)
	Viewing Angle (L-R, T-B)	160°, 160°
	Response Time (G to G, ms)	25
	Life Span (hrs)	50,000
	Touch Screen	10 Point Multi Touch PCAP, Accuracy < 2mm
		Analog
BROADCASTING SYSTEM	Digital	Yes (ATSC)
	Terrestrial	VSB
	Cable	Clear QAM/VSB
VIDEO	XD Engine	Yes
	Aspect Ratio	16:9, Original, 4:3, Vertical Zoom, All-Direction Zoom, Just Scan
	Picture Mode	7 modes: Vivid, Standard, APS, Cinema, Sports, Game, Expert (Bright Room), Expert (Dark Room)
AUDIO	Audio Output	2 W + 2 W
	Speaker System	2.0 ch
	Sound Mode	Yes 6 modes: Standard, Cinema, Clear Voice III, Sports, Music, Game
	Clear Voice	Yes
	Solution Type	Pro.Centric (Smart, V, Direct)
	Data Streaming (IP & RF)	Yes
	RF	Yes (1 Tuner)
SMART TV SOLUTIONS	HCAP (GEM/FLASH/HTML)	Yes
	* Service Carousel (TLX, Firmware)	Yes
	Multicast/Unicast Ready	Yes
	webRTC	Yes
	DRM	Prodiom (S/W)
SMART FEATURES	webOS 3.5, Commercial Smart Home, Web Browser, Pre-loaded Apps, SDP Server Compatibility, SoftAP, Wi-Fi (bandwidth), Screen Share (Miracast), Smart Share (DLNA), DIAL, Bluetooth Audio Playback, LG Sound Sync / Bluetooth	
DEVICE MANAGEMENT FEATURES	Welcome Screen, Insert Image, Instant On, Full Touch Screen (PCAP), Auto Off / Sleep Timer, Smart Energy Saving, Motion Eye Care, USB Cloning	
JACK INTERFACE	Set Bottom	Headphone Out (replaceable module)
	Set Rear	HDMI/HDPC In, LAN (RJ45), USB, MPI Port (RJ45), DC In, RF/AC In [PoC (Power over Coax)]
MECHANICAL	VESA	75 x 75 mm
	Color	Front: Black / Back: Ivory
	Bezel Width	23.5mm (T/L/R) / 59.7mm (B)
	W x H x D (without packing or arm adaptor)	15.4" x 11" x 1.8" / 391.4 x 278.6 x 46.1 mm
	W x H x D (with packing, without arm adaptor)	18" x 7.9" x 14" / 458.0 x 201.0 x 356.0 mm
	Weight (without packing or arm adaptor)	6.4 lbs / 2.9 kg
	Weight (without packing, with arm adaptor)	8.0 lbs / 3.7 kg
	Weight (including packing and arm adaptor)	9.9 lbs / 4.5 kg
POWER (unit : Watts)	Optional Adapter (AM-PW18BA)	Input: 100V - 240V AC 50/60Hz, Output: 19V DC 3.42A
	Max	35W
	PoC (Power over Coax)	Range 20V - 34V AC or DC
	Standby	Adapter: 0.5W ↓ / PoC: 0.5W ↓
OTHER	Compliance	UL, FCC, RoHS, NOM, NRCan, CEC
	Warranty	2 Year

<https://www.lg.com/us/business/commercial-display>  
<https://www.twitter.com/LGCommDisplays>  
<https://www.facebook.com/LGcommercialdisplays>  
<https://www.linkedin.com/company/lg-commercial-displays-usa>  
<https://www.youtube.com/lgcommercialdisplayusa>

Copyright 2020 ©LG Electronics USA, Inc., 2000 Millbrook Drive Lincolnshire, IL 60069, USA.  
 All rights reserved. LG and the LG logo are registered trademarks of LG Corp. All other products and brand names are trademarks or registered trademarks of their respective companies.  
 Designs, features, and specifications are subject to change without notice. All screen images are simulated.  
 SPEC\_15LT766A\_032017\_d

